

HDMI+IR Extender

User Manual

Description

This product adopts standard MAC communication protocol, which can realize lossless compression and delay-free transmission, and can extend 1080P@60Hz HDMI signal up to 200 meters through CAT6 or above network cable. The product supports loop out, infrared return, audio embedding and deb-locking, etc. It can realize 1-to-multiple connection or switch cascade through Gigabit switch. It can be widely used in security monitoring, rail transportation, broadcasting and TV, smart city, home entertainment, education and training.

Features

- Supports CAT5E and above cables, unshielded cables are recommended.
- Point-to-point transmission distance can up to 200 meters when using CAT6 and above network cables.
- Point-to-point transmission distance can up to 150 meters when using CAT5E network cables.
- Supports 1920*1200@60Hz HD resolution.
- Support lossless compression, no delay transmission
- Support local loop out, local display at the same time, debugging is more convenient.
- Support infrared return, you can control the signal source at the remote end.

-1-

- Support audio embedding and deb-locking, can access external analog audio equipment
- Support point-to-point and point-to-multi point transmission (only support Gigabit switch)

Packing List

Transmitter	1
Receiver	1
Power Supply Adapter (DC5V1A)	2
Infrared transmitter cable (IR OUT)	1
Infrared receiver cable (IR RX)	1
User Manual	1

-2-

Specification

Product Name	HDMI CAT Extender
Transmitter Port	1*HDMI Input+1*HDMI Loop Out+1*3.5mm IR Transmitter+1*3.5mm Audio Input
Receiver port	1*HDMI output+1*3.5mm IR receive +1*3.5mm audio output
HDMI connector	HDMI A type female socket
Network cable interface	RJ45 network port
Point-to-Point Transmission distance	CAT6 200 meters / CAT5E 150 meters (200 meters is the limit of length, need to reach the gigabit network speed, network cable requirements are higher)
Point-to-Multi point Transmission distance	CAT6 + switch: transmitter/network cable 150 meters + switch + receiver/network cable 150 meters, max transmission distance up to 300 meters. CAT5E + switch: transmitter/network cable 120 meters + switch + receiver/network cable 120 meters, max transmission distance up to 240 meters.
HDMI version	Transmitter: HDMI1.3a; Receiver: HDMI1.2
HDCP version	Transmitter: HDCP1.3a; Receiver: HDCP1.2
HDR technology	Not supported
Audio Format	PCM left and right channel
IR Support	20~60KHz

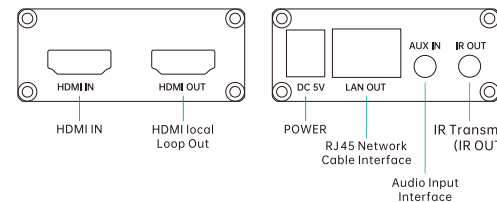
-3-

Support Video Resolution	1920x1200@60Hz
Color space	RGB, YCbCr4:4:4, YCbCr4:2:2
Color support	8bit, 10bit, 12bit (10/12bit only for YUV4:2:2)
CEC function	Not supported
EDID logic	Transmitter matches communication with the source, and receiver matches communication with the display.
EDID pass-through	Not supported
Network cable specification	CAT5E/CAT6 (CAT5E and above)
Transmission protocol	MAC transmission protocol
Electrostatic protection	±8KV (contact discharge)
Operating Temperature	0°C~55°C
Storage Humidity	-20%~60 %RH
Power supply	DC 5V
Dimension	99*59*26mm
Shell Material	Aluminum Alloy

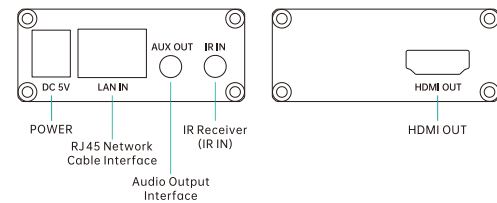
-4-

Diagram

Transmitter (TX)



Receiver (RX)

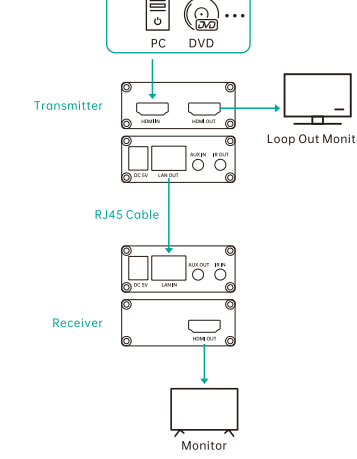


-5-

Installation

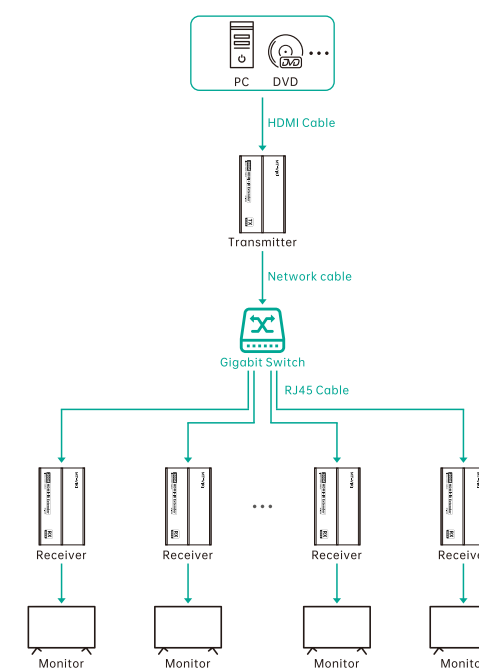
1. Connect HDMI signal source to the transmitter HDMI IN by one HDMI cable.
2. Connect display device to the receiver HDMI OUT by one HDMI cable.
3. Connect the transmitter and receiver's RJ45 interface by one network cable.
4. Connect the power supply, turn on the power.

Point-to-Point



-6-

Point-to-Multi point



-7-

单页75x105mm