

Angekis®

CONTACT

Tel: +86-755-2296 9385

Fax: +86-755-2296 9386

Head office:

Room903, Guangshen Building, 2023
Shennan East Road, Luohu District,
Shenzhen, Guangdong, China

Branch office:

Room 807, Huale Building
2017 Shennan East Road, Luohu District
Shenzhen, 518000, Guangdong, China

Please send your inquiry to sales@angekis.com

www.angekis.com



Contents

- 4. Saber 4K
- 6. Saber IP 20X
- 8. Saber Plus
- 10. Saber Light
- 12. Saber NDI Range
- 14. Comparison Chart
- 16. The Blade
- 18. Blade VS
- 20. Blade 4K



WHY Angekis



Leaders in USB Video Conferencing

The founder of Angekis has extensive experience working in the USB Video device market for over 10 years, specialising in UVC USB cameras. In fact we helped pioneer the USB PTZ camera with one of the first USB video conference camera models released on the market way back in 2011. Since then our team have continued to pave the way advancing technology for camera chipset solutions in the realms of AF,AE,AWB &UVC control command and much more. With a huge amount of experience, we decided in 2015 to start our own brand.

Class Leading Warranty

We are so confident in our product range, that we offer a class leading **3 year manufacturers warranty** on the entire range. We understand our products are a long term investment and they are built to last, so rest assured when you buy from us, we have your back!

Award Winning Range

In our first year of launching at the ISE expo in Amsterdam we won best in show in the Video Conferencing category for the Saber 12x model, edging out world famous competitors. We then won again in 2018 with the Saber Auto-Pilot regarded as the best tracking camera in its class. We are still in the early days, so look out for more ground breaking products and awards to come!

Easy Integration

Already using a system in your video conference environment which you love, such as Cisco, Skype, Zoom? No problem! The Angekis range of cameras connect as plug and play solutions and can integrate easily with most VC solutions. If you have a specific solution you need to check works, just ask us.

Complete Solution

Our range is designed to set a global standard for performance, quality and value that span to applications of all types from Unified Communication, to IP streaming, Education solutions, live events and even on the go micro solutions for sales people.

Whether you are looking for a high end 4K flawless video conference solution to a robotic PTZ camera or an on the go all in one audio/video huddle solution, Angekis has the most complete camera line for the AV market today.



SABER 4K

Saber-12UFHD36

Model	Saber-12UFHD36			
Sensor	1/2.5 inch, 12mega pixel high quality CMOS sensor			
Video Format	HDMI	IP	SDI	USB3.0
	3840x2160p30/25, 1080p60/50/30/25, 720p60/50/30/25, 1080i60/50	Main stream: 3840x2160p30, 1920x1080p60, Sub stream: 1280x720,704x576 640x480,352x288 30fps	1080p60/50/30/25; 720p60/50/30/25 1080i60/50	1080p60/50/30/25 720p60/50/30/25 USB3.0&USB2.0 1024x576p30 960x540p30 640x360p30 352x288p30
Zoom	12x optical zoom & 2x digital zoom		Gamma	Supported
FOV	6.3°(near)~72.5°(far)		Mirror Image	Supported
F.no.	Wide: 1.84	Tele: 2.81	PanTilt Flip	Supported
Min. Focus Distance	Wide: 0.3m	Tele: 1m	Iris	Auto / Manual/
Preset	10 via remote controller; 128 via serial port; preset precision:0.1°		Electric Shutter	Auto / Manual/
Rotation Angle	Pan: -170° ~ +170°; Tilt: -35° ~ +90°		BLC	Auto / Manual/
Rotation Speed	Pan: 0°~120°/s ; Tilt: 0°~80°/s		Focus	Auto / Manual/
Control Port	RS232 / RS485/RJ45		Video Encoding	H.264/H.265
Video Port	HDMI/ RJ45/SDI/USB3.0/USB2.0		Bit Rate Control	Variable Bit Rate, Constant Bit Rate
Network Speed	1000M		Video Bit Rate	1024Kbps~30720Kbps
Noise Reduction	2D&3D		Frames	50HZ:1fps~50fps 60HZ:1fps~60fps (3840x2160 max. 30fps)
SNR	>50dB		IP Protocol	TCP/IP, HTTP, RTSP, RTMP, Onvif, DHCP
Focal Length	f=3.92(near)~47.32mm(far)		POE	Supported
Minimum Lux	0.01 lux		Input Voltage	DC12V, 2A
White Balance	Auto / Manual/Auto Tracking/ OnePush/Indoor/Outdoor/		Dimension	220mm×173mm×190mm
Anti Flicker	50Hz/60Hz/OFF		Net Weight	1.25KGS (2.8LBS)



The Saber 4K boasts a UHD 4K image via IP and HDMI. The trend towards bigger and better resolution is coming as fast as ever. To future proof, many companies are seeking 4K technology as they know it will last and avoid continuous upgrades.



Saber 4K is a professional grade Ultra HD Video Camera that supports IP, HDMI, SDI and USB 3.0 outputs which is ideal for broadcasting, high end video conferencing and video surveillance applications.

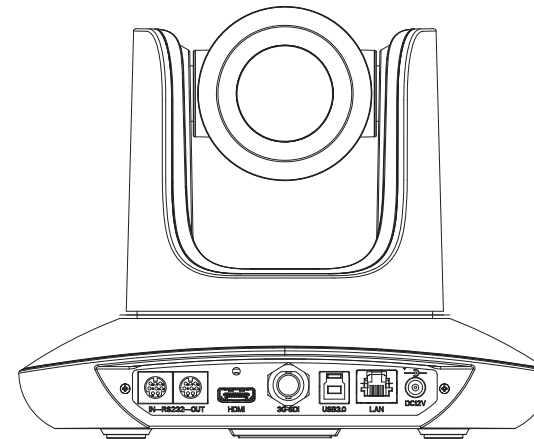
Features:

- Outputs: IP, HDMI, RS232 in & out, SDI, USB 3.0 and LAN.
- 128 Pre-sets.
- 12x Optical Zoom + 2x Digital Zoom, 72.5° field of view.
- Support RS232/485 Serial Control.
- 3840 x 2160 p30 Ultra HD Video Resolution.
- Sony Visca and Pelco P/D Protocol.
- Automatic access to IP Address.
- Supports Daisy Chain Feature.
- Smooth PTZ Mechanical Design.
- Day/night switch for surveillance market.
- Reverse Ceiling Mount Mode.
- Accurate Pan Tilt Motor Control.
- WDR, 3D Noise Reduction feature.

SABER IP 20x

IP-20FHD60

Model	IP-20FHD60			
Sensor	1/2.8 inch, 5mega pixel high quality CMOS sensor			
Video Format	HDMI	IP	SDI	USB3.0
	1080p60/50/30/25, 720p60/50/30/25, 1080i60/50	Main stream:30 1920x1080p60, Sub stream: 1280x720,704x576 640x480,352x288	1080p60/50/30/2 5; 720p60/50/30/25 1080i60/50	1080p60/50/30/25 720p60/50/30/25 USB3.0&USB2.0 1024x576p30, 960x540p30 640x360p30, 352x288p30
	Zoom	20x optical zoom & 2x digital zoom	Gamma	Supported
	FOV	60°(diagonal)	Mirror Image	Supported
F.no.	Wide: F1.5(Wide)~3.0 (Tele)	PanTilt Flip	Supported	
Focal Length	f=5.2(near)~98mm(far)	Iris	Auto / Manual/	
Preset	10 via remote controller; 128 via serial port; preset precision:0.1°	Electric Shutter	Auto / Manual/	
Rotation Angle	Pan: -170° ~ +170°; Tilt: -35° ~ +90°	BLC	Auto / Manual/	
Rotation Speed	Pan: 0°~120°/s ; Tilt: 0°~80°/s	Focus	Auto / Manual/	
Control Port	RS232 / RS485/RJ45	Video Encoding	H.264/H.265	
Video Port	HDMI/ RJ45/SDI/USB3.0/USB2.0	Bit Rate Control	Variable Bit Rate, Constant Bit Rate	
Network Speed	1000M	Video Bit Rate	1024Kbps~30720Kbps	
Noise Reduction	2D&3D	Frames	50HZ:1fps~50fps 60HZ:1fps~60fps	
SNR	>50dB	IP Protocol	TCP/IP, HTTP, RTSP, Onvif, DHCP	
Minimum Lux	0.01 lux	POE	Supported	
White Balance	Auto / Manual/Auto Tracking/ OnePush/Indoor/Outdoor/	Input Voltage	DC12V, 2A	
Anti Flicker	50Hz/60Hz/OFF	Dimension	220mm×173mm×190mm	
D/N Mode	Supported	Net Weight	1.25KGS (2.8LBS)	



The live streaming camera with a variety of functions.

The Angekis IP 20x full HD camera offers smooth pan/tilt/zoom and powerful 20x zoom. The open interface makes it easy to integrate with other systems and share information with a broader audience such as in auditoriums, classrooms, as well as peer-to-peer communication in video conferencing.

Advantages:

- Ultra crystal video: with advanced 1/2.8 inch 8MP sensor and high quality 20x lens.
- Fast switching between different video formats: only 3 seconds needed.
- Fast and accurate focus Easy firmware upgrade-(field-upgradable):no need to open the camera housing.
- USB2.0 compatible.
- Daisy Chain function: with both Visca in and Visca out port.
- Compatible with the majority of videoconferencing software (UVC1.1 protocol standard).
- With powerful functional remote controller.
- Multi language OSD menu: support English, Chinese, Russian, Spanish.



Now available in white

SABER IP 20X

IP 20X FHD IP PTZ Video Camera

Features:

- USB3.0 & DVI-I(HDMI) simultaneous output.
- Zoom: 20X Optical Zoom + 2X Digital Zoom.
- 1920x1080p 60fps high resolution.
- 57.4 Degree field of view.
- Ultra smooth PTZ mechanism.
- Accurate PT motor control.
- Up to 128 presets.
- Effective RS232/485 serial control.
- WDR, 3D-noise reduction function.
- Image ip function support upside-down installation.
- Mounts: Wall mount & in-ceiling mount available.
- Sony Visca and Pelco P/D protocol controls.

SABER PLUS

U3D-12FHD6



Technical Specifications

- Video Format: 1080p59.94/50/29.97/25; 720p59.94/50/29.97/25.
- Video Output: USB3.0 HDMI, SDI, IP.
- Sensor: 1/2.5 inch 8.5MP CMOS sensor, providing 1920x1080P @60fps.
- Lens: f3.9-6.1mm (12x Zoom), F1.8 – 2.8.
- Angle of View: 72.5°.
- Rotation Angle: Pan rotation: ±170°; Tilt rotation: -30°~+90°, support up-side down installation.
- Pan speed: 0.1°-150°/s; Tilt speed: 0.1°- 80°/s.
- Pre-set: 10 via IR remote setting, (255 via COM setting, pre-set accuracy: 0.2°.
- Support Auto/Manual White Balance, Auto/Manual Exposure (Iris, Shutter).
- Control signal port: USB UVC FECC and 8 pin mini DIN-RS232-VISCA/Pelco-D/Pelco-P protocol.
- Max consumption: 24W.
- Working temperature: -5 - 45°C, Storage temperature: -20 - 60°C.
- Net weight: 1.5KG.
- Dimension: 220x190x173 mm.



Onscreen controls allow settings to be adjusted via keyboard & mouse (or remotely)



All models are reverse mountable

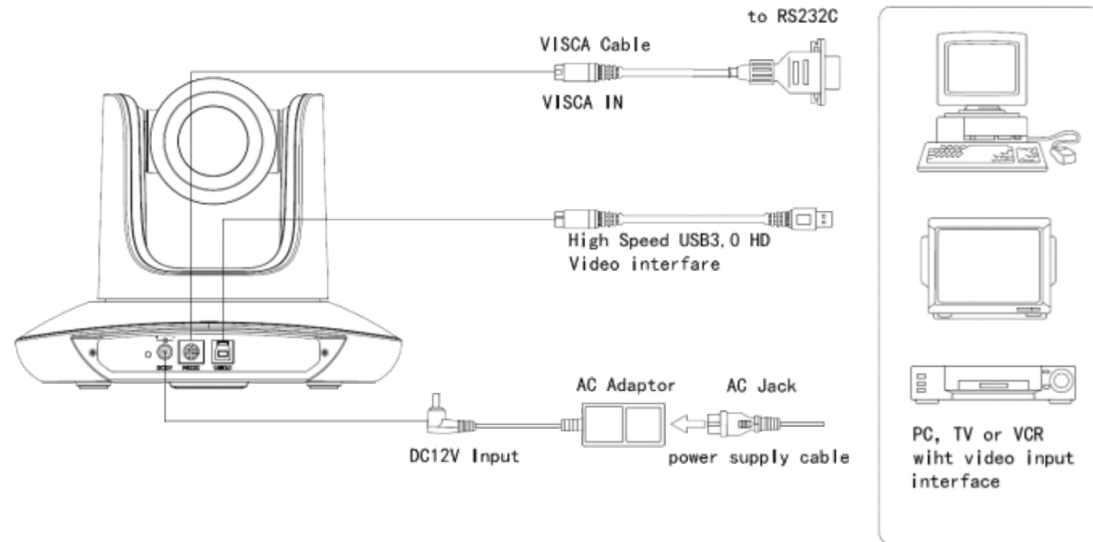
Winner of Best USB PTZ Camera at the ISE Expo in the Netherlands.

The first direct connect USB 3.0 HD PTZ video conference camera with a desktop app control. The Saber breaks new ground by leaving behind overly complicated and expensive traditional PTZ video conference solutions.

1. Sleek and intelligent design.
2. Crystal clear HD image quality via IP, HDMI, SDI and USB 3.0.
3. Low light ability. Excellent image quality even at low lux of 0.01 lux.
4. IP, HDMI & USB3.0 simultaneous output.
5. Far end camera control via USB3.0 UVC ability based on Codecs FECC (For example zoom.us).
6. Desktop app control software included to control the camera and video settings.
7. Visca control.
8. Utilizing belt drive technology the twin motors of the PTZ are ultra quiet, smooth and provide fast movement.
9. Larger FOV at 72.5 degree with no video distortion.
10. 2D and 3D NR offers the best video quality to adjust to different room lighting.
11. Fully operational remote control with power on function, setting the camera back to the start position.
12. Reverse mountable, tripod screw thread at the bottom.

SABER LIGHT 5x

U3-5FHD6



**It gives you everything you love about the Saber but at a lean mean price!
Can be powered solely through the USB 3.0 port.**

PRODUCT HIGHLIGHTS

- The same amazing award winning image quality of the Saber 12x.
- 3 cables in 1 design: video, control & power can be transited via a single USB3.0 cable. (notice: to achieve stable power supply via USB3.0 cable, we suggest only use the 3m USB3.0 cable supplied by the factory).
- Adopts advanced DSP, 1/2.8 inch 5MP image sensor, and high quality 5X 90 degree FOV optical lens, provides uent and crystal image quality.
- Fast switching between dierent video formats: less than 1 second.
- 90° FOV.
- 5X Optical Zoom + 2X Digital Zoom.
- Fast and accurate focus performance.
- Easy firmware upgrade.

SABER Light

Professional HD USB 3.0 PTZ Camera

NDI[®]

CAMERA RANGE



With Angekis winning the ISE Best in Show Awards for 2016 and 2018 and having become widely known as a brand with class leading imagery in their cameras, it made perfect sense for Newtek to partner with the best. The Angekis Saber IP and Saber 4K PTZ cameras now come in NDI versions.

The Angekis NDI PTZ cameras include 4K to 1080p FHD versions and the cameras over 20X or 12X optical zoom and can output HD video and audio while receiving the control signal and power over a single connection.

Both the Saber 4k and Saber IP combine full video output interface (NDI, 3G-SDI, HDMI and USB3.0), for various live streaming applications and utilise simultaneous output. Integrated with NewTek's NDI[®], the Angekis NDI PTZ cameras create a plug-and-play environment for live streaming, making it possible to produce abundant and diverse live content.

All Angekis NDI Cameras support power, video/audio and control, via a single Ethernet cable, simplifying setup and installation for live streaming systems. The Angekis NDI range feature broadcast frame rates and NDI video outputs for video production professionals to deploy.

Utilizing the latest professional camera control technologies, remote camera operation has never been this easy. Broadcasters simply connect to an IP network, then choose from professional 3G SDI connected workows, Ethernet connected NDI workows, and traditional HDMI workows, all simultaneously. Utilising optical zoom lenses up to 20X, video productions can now remotely capture a close up shot at up to 52' (16 meters) away.



SABER 4K NDI : NDI-12UFHD36



SABER IP NDI : NDI-20FHD60

COMPARISON CHART

	SABER 4K	SABER IP 20x	SABER Plus	SABER Light 5x	BLADE 4K	BLADE VS
Picture						
Target Market	High End Video Conference Environments	High End Video Conference Environments	Medium to Large Conference rooms	Small to Medium Conference rooms	High End Video Conference Environments	Medium to Large Conference rooms
Optical & Digital Zoom	12x optical + 2x digital	20x optical + 2x digital	12X optical + 2x digital	5x Optical + 2x digital	15x HD Lossless, 5x 4K Optical	10x Optical + 10x Digital
Video Output	IP, HDMI, SDI and USB3.0 and simultaneous output (1080p 60)	IP, HDMI, SDI and USB3.0 and simultaneous output (1080p 60)	IP, HDMI, SDI and USB3.0 and simultaneous output (1080p 60)	USB3.0	USB3.0	USB2.0
Pan Rotation Degree	340°	340°	340°	340°	350°	350°
View Angle	72.5°HFOV NO distortion	60°HFOV NO distortion	72.5°HFOV NO distortion	90°HFOV NO distortion	86.5°	62.5° NO distortion
Maximum resolution	4K 30fps(HDMI&IP), 1080P 60fps USB3&3G SDI	1080P 60fps over SDI, USB 3.0, HDMI	1080P 60fps over SDI, USB 3.0, HDMI	1080P 60fps	4K 30fps	1080p 30fps
Video Format	H.264, H.265 over IP, YUY2 USB3	H.264, H.265 over IP, YUY2 USB3	YUY2 uncompressed over USB 3.0	YUY2 uncompressed	YUY2, MJPG,	YUY2, Mjpeg
Control	IR remote,Visca and desktop app control NECC. RJ45 Support Control, video stream and POE-Power Over Ethernet.	IR remote,Visca and desktop app control NECC. RJ45 Support Control, video stream and POE-Power Over Ethernet.	IR remote, Visca and desktop app control	IR remote ,Visca and desktop app control	ZoomRoom Controller supported Visca via USB2.0 & RS232 Angekis NECC onscreen app control IR remote 128 presets via RS232 joystick	ZoomRoom Controller supported Visca via USB2.0 & RS232 Angekis NECC onscreen app control IR remote 128 presets via RS232 joystick
OSD Menu	English, Chinese, Spanish, Russian	English, Chinese, Spanish, Russian	English, Chinese, Spanish, Russian	English, Chinese	English, Chinese	English, Chinese
Preset	10 on remote,128 from Visca	10 on remote,128 from Visca	10 on remote,128 from Visca	10 on remote,128 from Visca	10 on remote,128 from Visca	10 on remote,128 from Visca
3D Noise Reduction/Ultra Optix	Auto & Manual 2D + 3D noise reduction	Auto & Manual 2D + 3D noise reduction	Auto & Manual 2D + 3D noise reduction	Auto & Manual 2D + 3D noise reduction	Auto & Manual 2D + 3D noise reduction	Auto & Manual 2D + 3D noise reduction
Electronic Shutter	Yes	Yes	Yes	Yes	Yes	Yes
BLC (Back Light Compensation)	Yes	Yes	Yes	Yes	Yes	Yes
Exposure Compensation	Yes	Yes	Yes	Yes	Yes	Yes
IR Transfer/IR Pass	Yes	Yes	Yes	Yes	Yes	Yes
Daisy Chain via RS232	Yes (Up to 7 Cameras)	Yes (Up to 7 Cameras)	Yes (Up to 7 Cameras)	No	No	No
FECC (Far end camera control)	Yes	Yes	Yes	Yes	Yes	Yes
Video "mute"	Yes	Yes	Yes	Yes	Yes	Yes
Sharpness, WDR, Backlight refine via remote	Yes	Yes	Yes	Yes	Yes	Yes
Camera select	Yes	Yes	Yes	No	No	No
Dynamic Startup	No	No	No	No	Yes	No
Reverse Mountable	Yes	Yes	Yes	Yes	Yes	Yes
Day/Night switch for Surveillance	Yes	Yes	No	Yes	Yes	Yes
Warranty	3 years	3 years	3 years	3 years	3 years	3 years

Introducing the all new BLADE

The new Angekis Blade range is not just rediscovered, its completely redesigned.

It isn't just a facelift, it's a complete makeover. Utilising state of the art technology, here are just a few of the new features....



FlexiControl

Our groundbreaking FlexiControl system enhances your conferencing experience, giving you the ultimate versatility for controlling the camera. FlexiControl features:

- ZoomRoom remote Controller supported via ipad/android and windows with 3 presets.
- Visca over USB (VS model), 4K model and RS232 (both models).
- Our proprietary near end onscreen app control utilisng 7 presets



UltraOptix

Utilizing advanced imaging technology, Ultraoptix reduces 3D video noise. The result is a balanced image that renders the image with a clarity and sharpness that creates a more dened image.



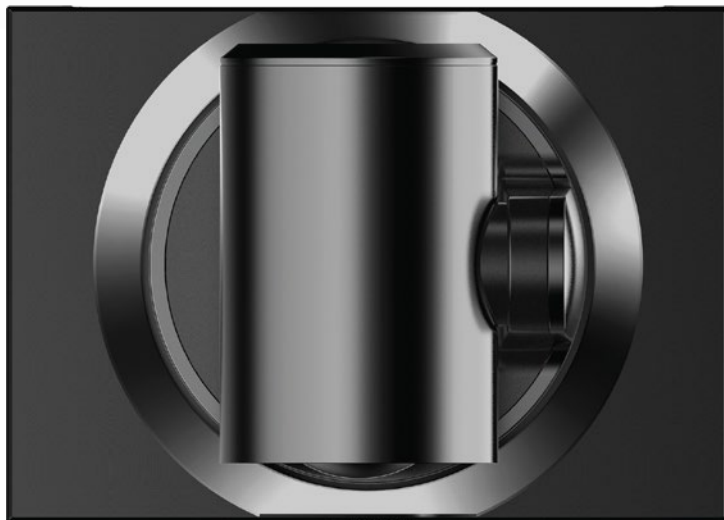
Dynamic Startup

Don't want the camera to settle in the default position on startup? No problem. Dynamic startup allows you to preset the startup position, so every time the camera starts up it will automatically settle in that position, no need to press any buttons. The perfect solution for lectures



BLADE VS

U2-10FHD3



A leap ahead

The new Blade VS delivers an amazing suite of features and maintains the beautiful optics you have come to expect from Angekis. Technical improvements and a class leading build quality compliment the Blades brilliantly sharp resolution and stunning color reproduction, all at a groundbreaking price.

PRODUCT HIGHLIGHTS

- 10x optical zoom, 10x digital zoom option.
- Full HD resolution at 30fps via USB 2.0.
- Video format YUY2 and Mjpg.
- Day/night version switch.
- 62.5° FOV.
- 350° pan rotation.
- Visca over USB2.0, RS232 . 128 presets.
- IR remote controller, 10 presets.
- ZoomRoom remote Controller supported.
- On screen NECC via custom Angekis app.
- Video mute control.
- Kensington lock hole.
- 3D noise reduction.



Flexi Control



UltraOptix



Dynamic Startup

BLADE 4K

U3-UFHD36-IP

Blade 4K

Enterprise Grade 4K USB 3.0 PTZ Camera



Breaking new ground in optics and performance.

The new Blade series delivers class leading optics and crystal clear life-like video that makes your video conference feel like you are sitting together in the same room. We've delivered significant technical improvements including USB visca and uvc control, as well as zoom room controller support.

Onscreen NECC rounds out the suite of control options. Technical improvements to the cameras optics produce brilliantly sharp images, in a small, smart and solid form factor at a price that will impress.

Did we mention the 3 year warranty?

PRODUCT HIGHLIGHTS

- 86.5 Degree wide angle FOV.
- 5 x 4K + 15x HD zoom over USB3.0.
- Up to 4K resolution at 30fps and Full HD at 30fps.
- Video format: YUY2, MJPG.
- Video outputs: USB3.0.
- Visca over RS232. 128 presets.
- Zoom Room remote Controller supported.
- Angeki's near end on screen app control.
- IR remote control with 10 presets.
- RS232 joystick or 128 presets
- OSD settings menu via remote.
- Video mute control.
- Kensington lock hole.
- 3D noise reduction.
- Day/night vision switch.



Flexi Control



UltraOptix



Dynamic Startup

Angekis®



WEB



FACEBOOK

Copyright© Angekis Technology Co.,Ltd All Rights Reserved.

<https://www.angekis.com>