



Angekis ASP-C-01

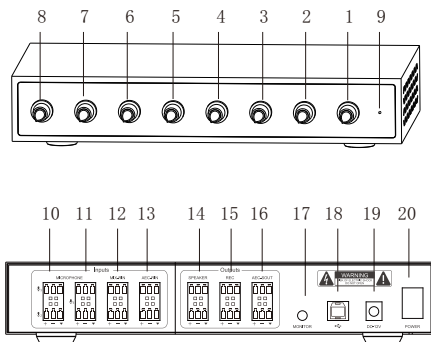
Digital Signal

Processor

Product Overview

This is a high quality audio mixing system, developed for use in lecture halls, meetings rooms, houses of worship, or any other large space that needs professional audio. It consists of a Digital Signal Processor main unit with phoenix terminals, 3.5mm and USB connectivity, as well as two HD voice hanging area microphones. It connects to speakers for instant amplification and/or a computer or recording device for further audio production.

Component introduction



- | | |
|---|--------------------------------|
| 1 Mic 1 volume control knob | 10 Mic 1/ Mic 2 interface |
| 2 Mic 2 volume control knob | 11 Headset/handset interface |
| 3 Mic 3 volume control knob | 12 Local audio interface |
| 4 Local audio volume control knob | 13 Call audio input interface |
| 5 Call audio input volume control knob | 14 Speaker interface |
| 6 Speaker volume control knob | 15 Recorded interface |
| 7 Recorded volume control knob | 16 Call audio output interface |
| 8 Call audio output volume control knob | 17 3.5 mm Monitor Interface |
| 9 Indicator LED | 18 USB interface |
| | 19 Power interface |
| | 20 Power switch |

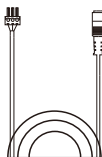
What's in the box



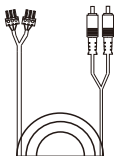
Digital Signal Processor



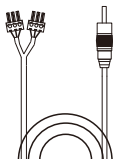
2 x ceiling area microphones



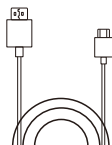
Ceiling microphone cables *2 (20m/pc)



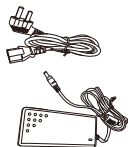
Speaker cable *2
(1.5m)



AEC cable *2
(1.5m)



Type B USB cable *1
(1.5m)

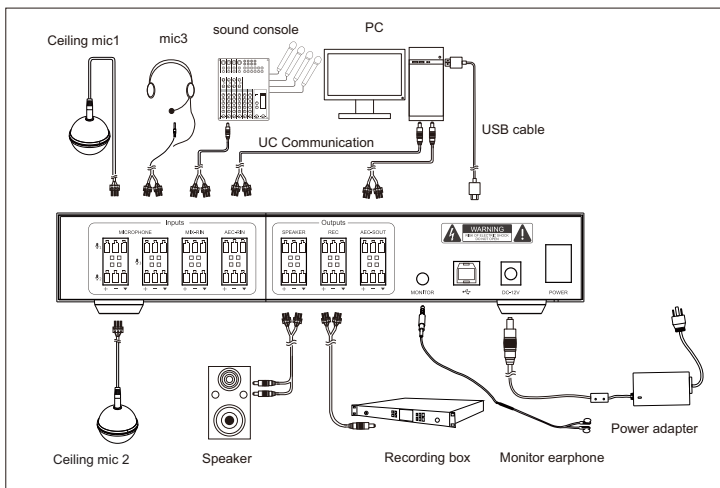


Power adapter



Phoenix terminal

Installation

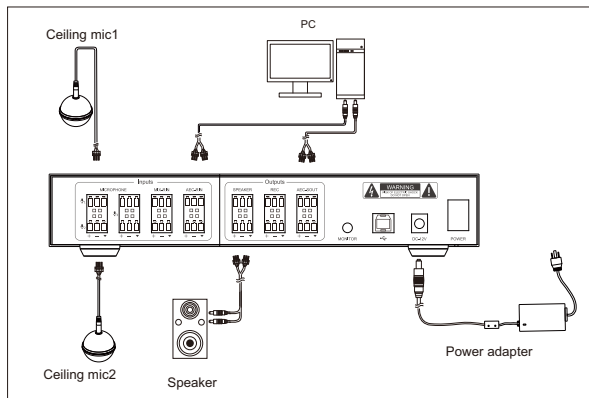


Note:

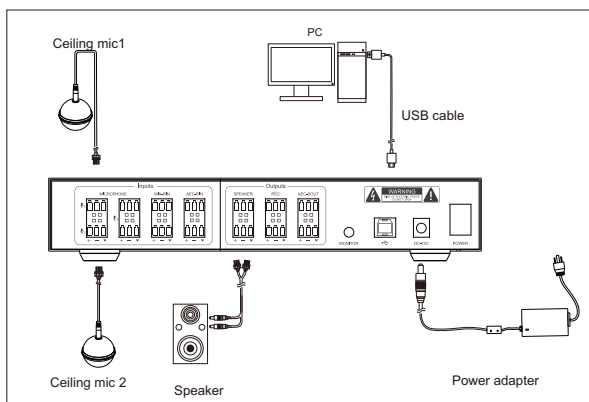
1. Single-ended signals can only be connected with "+" and "GND", but "-" can not be connected.
2. Differential signals need to be connected with "+", "GND" and "-"
3. The distance between the microphones should be more than 2 meters.
4. Turn on the power switch after wiring.

Operation

Audio connection method 1 :

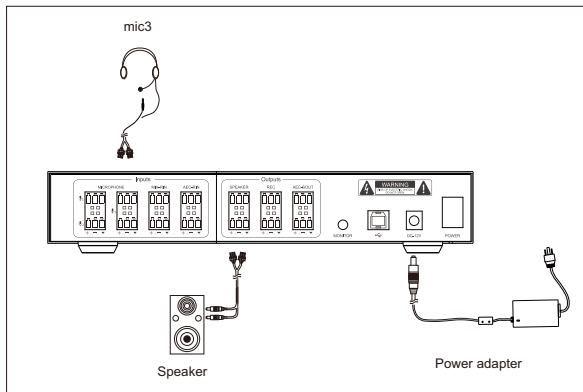


Audio connection method 2 :

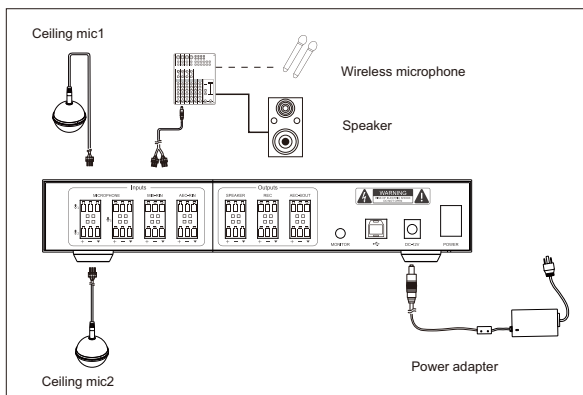


Operation

Local amplification :



Local console usage :



Attention

After the connection is completed, the following steps should be used to check whether the computer has correctly identified the product.

On Windows system:

1. Right click the speaker icon at the bottom right of the screen, and then click "playback". Display the playback interface.
2. Check whether the device is set to the default speaker. If not , please click "Angekis ASP-C-01" and select set to default.



Attention

Right click "Recording" to check whether "Angekis ASP-C-01" is the default microphone. If not, please click "Angekis ASP-C-01" and set to default.

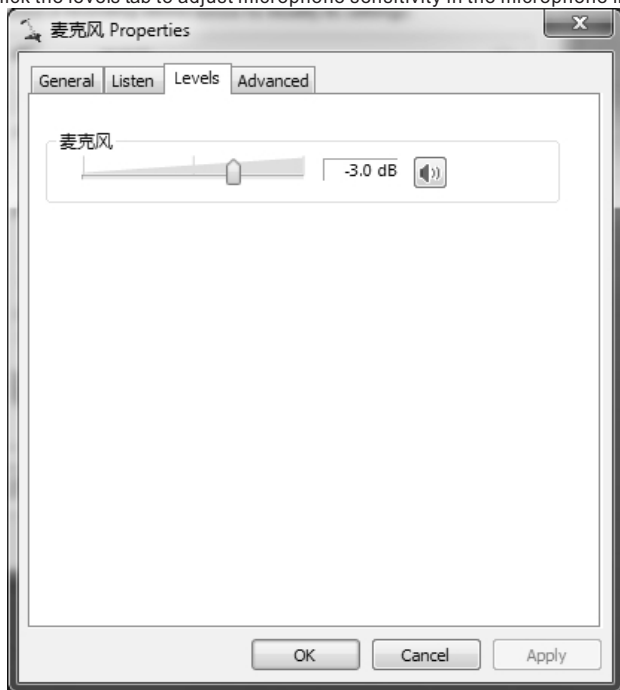


Attention

Adjust microphone sensitivity

The sound you hear at the far end may be distorted or too low depending on how the different systems interface. If this happens, please adjust the sensitivity (input volume) of the microphone.

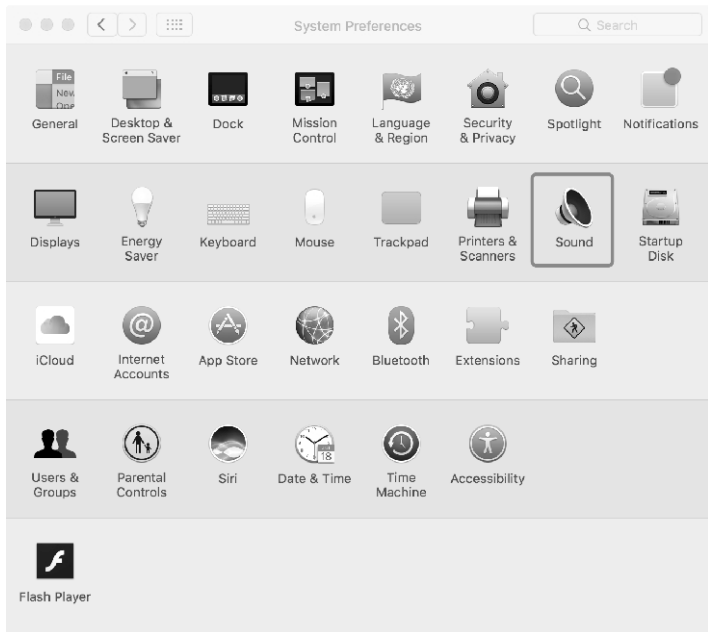
1. Right click the speaker icon at the bottom right of the screen, and then click "recording device". Display "recording device" interface.
2. Click "A ngekis ASP-C-01" and properties. Display the "Properties" interface
3. Click the levels tab to adjust microphone sensitivity in the microphone field



Attention

Mac OS

1. Click the apple icon at the top left of the screen, and then click "system preferences" and "sound". Click "Recording" to check whether "Angekis ASP-C-01" is the default microphone. If not, please click "Angekis ASP-C-01" and select set to default.



Attention

2. Click the output and input tabs respectively. To check if you have selected sound output and input as "Angekis ASP-C-01" from the device field. If not, click "Angekis ASP-C-01" .

