

# DE-25 projector mount user manual

Dear customers: Thanks for choosing our DE-25 projector mount, pls read the manual carefully before using. Keep it aside for future use.

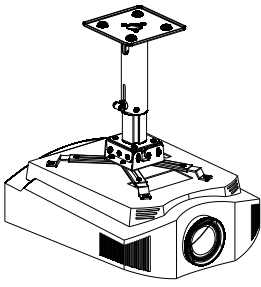
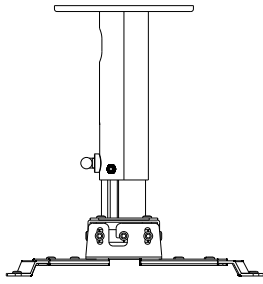
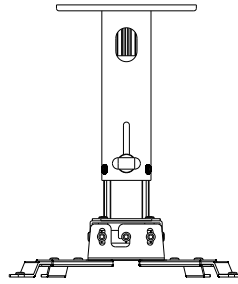


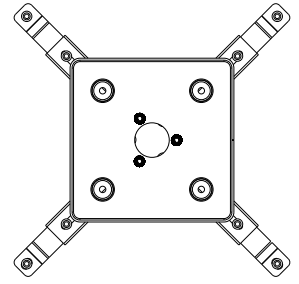
Figure 1\_1



Main View



Left View



Top View

## Product Appearance

Max Load : 40Kg

Product size	Type	Length L ( mm )		Width W ( mm )		Height H ( mm )		Tube stretch length LA (mm)
		Min	Max	Min	Max	Min	Max	
Product size	Wall hanged type B	226	319	223	316	—	184	160
	Long Pole C	226	319	223	316	267	427	160
	Short Pole D	226	319	223	316	112	130	18
	Extended long E	226	319	223	316	887	1047	160

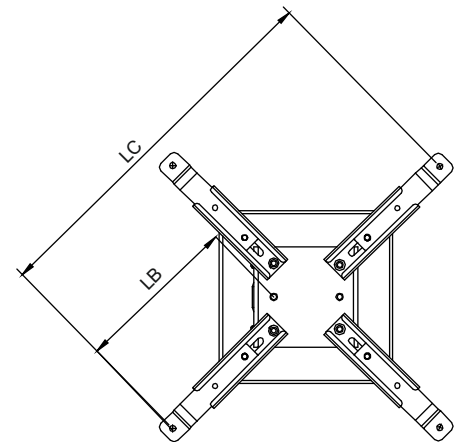
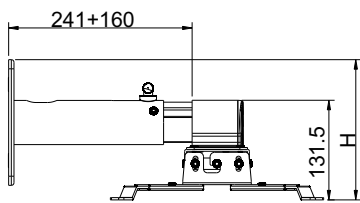


Figure 1-2

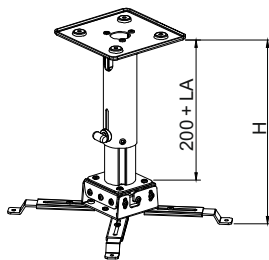
Installation hole distance		
	Min	MAX
3 holes LB ( mm )	115	180
4 holes LC ( mm )	315	449

left/right adjustable angle	3°±
tilt adjustable angle	± 15°
up/down adjustable angle	±5°



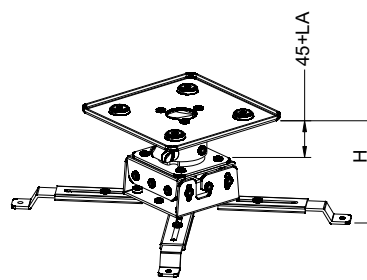
B款

Figure 1-3.1



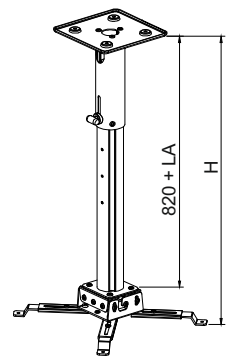
C款

Figure 1-3.2



D款

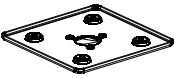
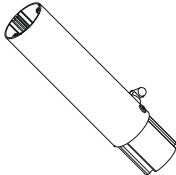








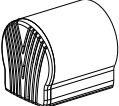
Figure 1-3.3



E款

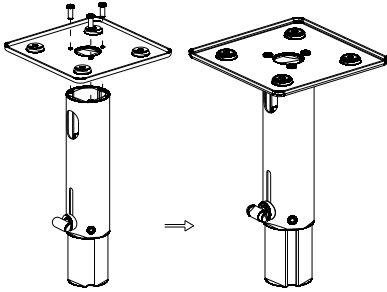
Figure 1-3.4

## Accessories

 Mounting Board	 Tube	 Mounting feet	 Allen Key  Gloves	 Inner-Hexagon Screws*5  M5x15 screws*4	 Expanded colloidal particles*4  M4x20 screws* 4	 Automatic bolts* 4	 Wall hanging special (No accessories for non wall hanging )
---	---	--	---	--	---	---	---

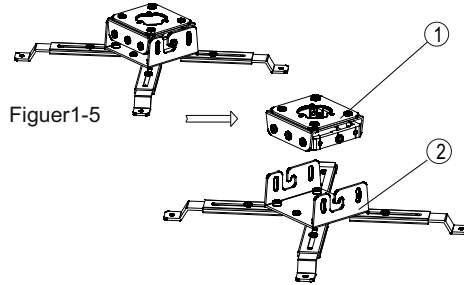
## Installation Steps

- 1** Step1: Take out the mounting board and tube, then screw out 3 bolts on the tube. Align the hole position of tube and mounting board (be aware of direction) and screws the bolts in the hole. Refer figure 1-4



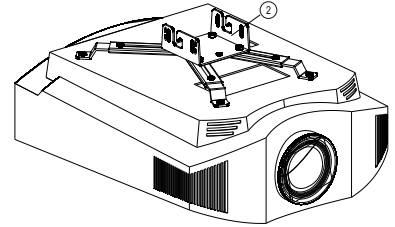
Figuer1-4

- 2** Step2: Take out the mounting feet refer figure 1-5. Separate component ① and ② among the guide chute. Refer figure 1-6.



Figuer1-6

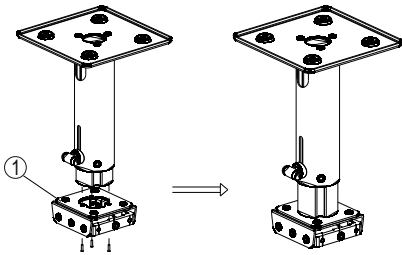
- 3** Step 3: Align the hole of component ② and Figure 1-4 part. Then screw the bolts. Refer figure 1-7



Figuer1-7

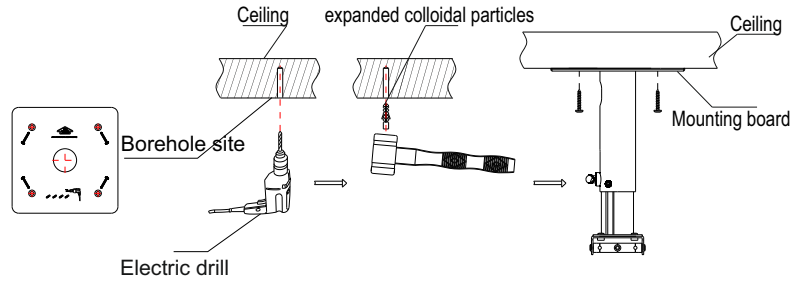
## Hoisting

- Step 4-1: Align the assembly ① with the assembly in Figuer1-4 and screw in the screw. Refer figure 1-8



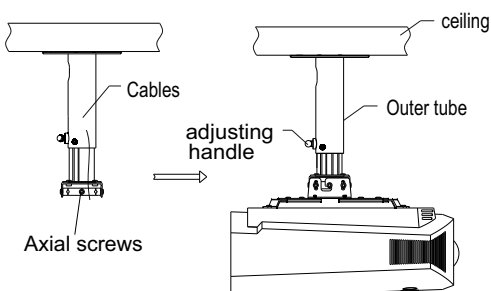
Figuer1-8

- Step4-2: Determine the mounting position in the ceiling, then stick stickers on the drill holes, use drilling tool drill 4Φ10holes, insert expanded colloidal particles, mount the mounting board in the ceiling. Refer figure 1-9.(Suitable for ceiling hoisting and installation)



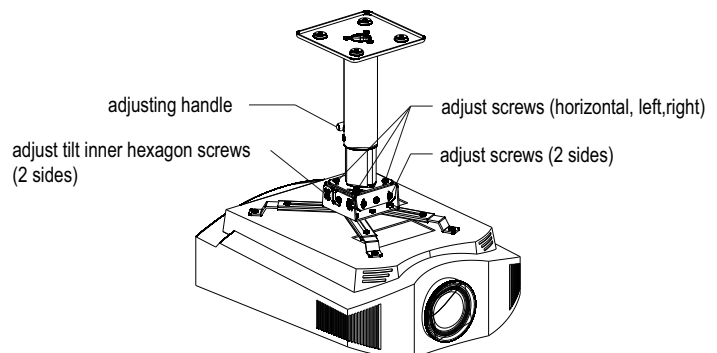
Figuer1-9

- Step4-3: Thread the cable of projector in the inner tube insert the inner tube into the outer tube that mount it in the ceiling, lift the mounting feet with 2 hands (finish installing projector) hang it on the axial screws among the guide chute and lock 4 adjusting screws on left&right Refer figure 1 - 1 0.(Suitable for ceiling hoisting and installation)



Figuer1-10

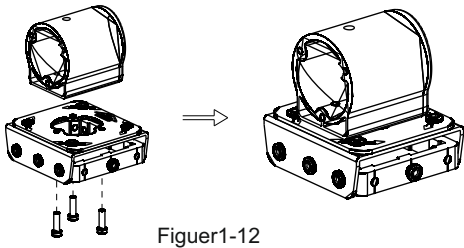
- Step4-4: Adjust projector: Height adjustment: loose screw of adjusting handle then adjust the height and tighten the screw, projector tilt angle adjustment: use allen key looses bolts on 2 sides, rotate the part of mounting feet and tighten 1-2 bolts in case angle tilt, tighten other bolts after confirming angle. Refer figure 1-11



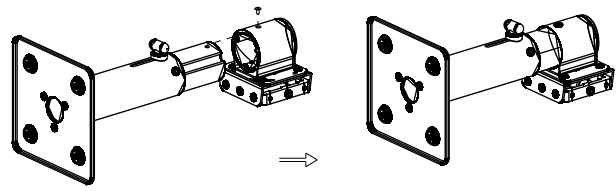
Figuer1-11

## Wall mounting

Step 5-1 wall mounting assembly: pay attention to the direction when installing the elbow. Install the elbow with M5 \* 16 screws (Refer figure 1-12 )

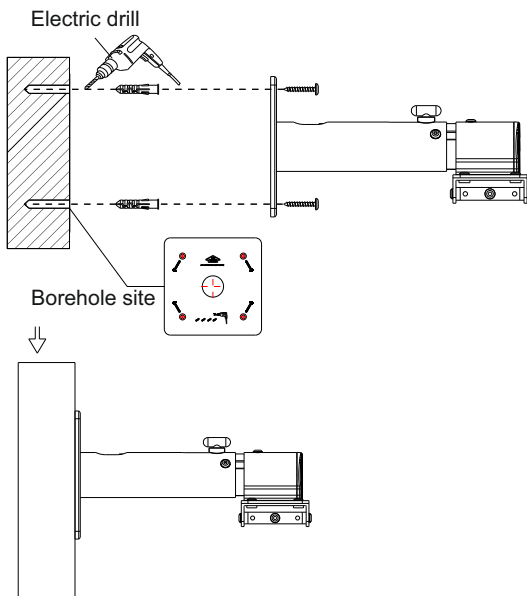


Figuer1-12



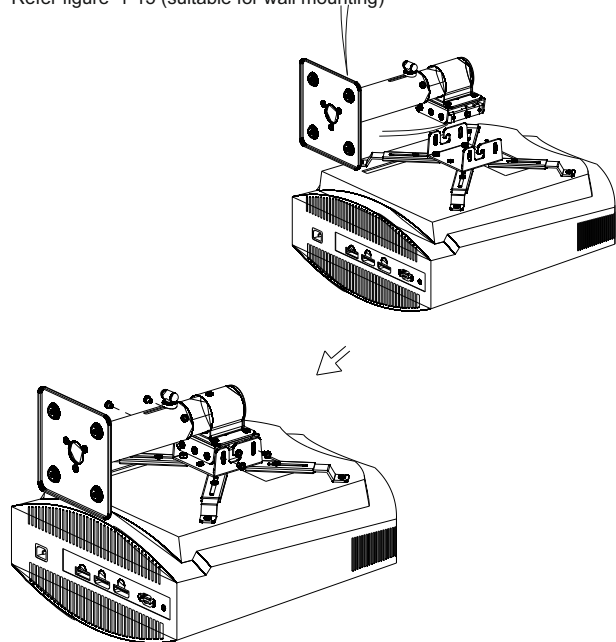
Figuer1-13

Step 5-2: determine the position of hanger to be installed on the wall, paste the label of drilling position, align the hole location with drilling tool, drill 4  $\Phi$  10 holes, knock in expanded rubber particles, and screw in ST6 \* 45 self tapping screw to install the top mounting plate assembly on the wall. Refer figure 1-14 (suitable for wall mounting)



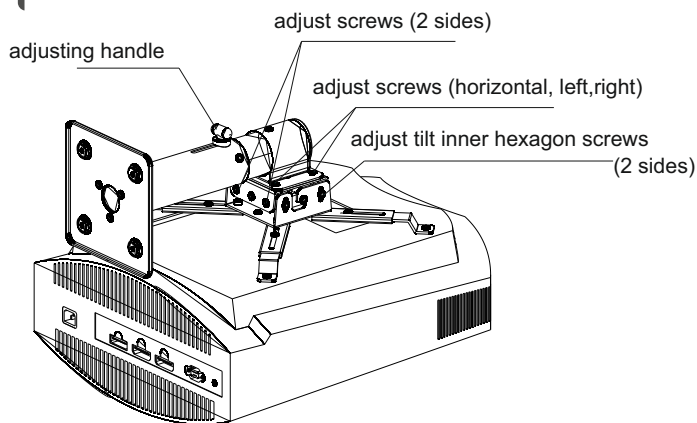
Figuer1-14

Step 5-3: after passing the corresponding wire rod of the projector through the inner tube, lift the octopus with both hands (with the projector installed) and hang it on the axial screw along the guide chute, and lock the left and right four adjusting screws, Refer figure 1-15 (suitable for wall mounting)



Figuer1-15

Step 5-4: reference for wall mounting commissioning (hoisting step 4.4)



Figuer1-16

### Safety precautions before installation and use

- Warning** Please ensure the ceiling/wall can load 50KG to prevent accident from happening.
- Attention** Don't tilt the projector too much, anti-falling, screws should be tightened.
- No dismantle** Don't take apart any components after hanging.