

200m HDMI Extender over Cat6

Description:

This HDMI extender with Cat6 cable to extend the HD signal up to 200m, and support the local loop out. it is convenient to transmit HDMI HD audio and video signals in a point to point and point to multipoint cascading. The resolution up to 1920*1200@60Hz.



Features:

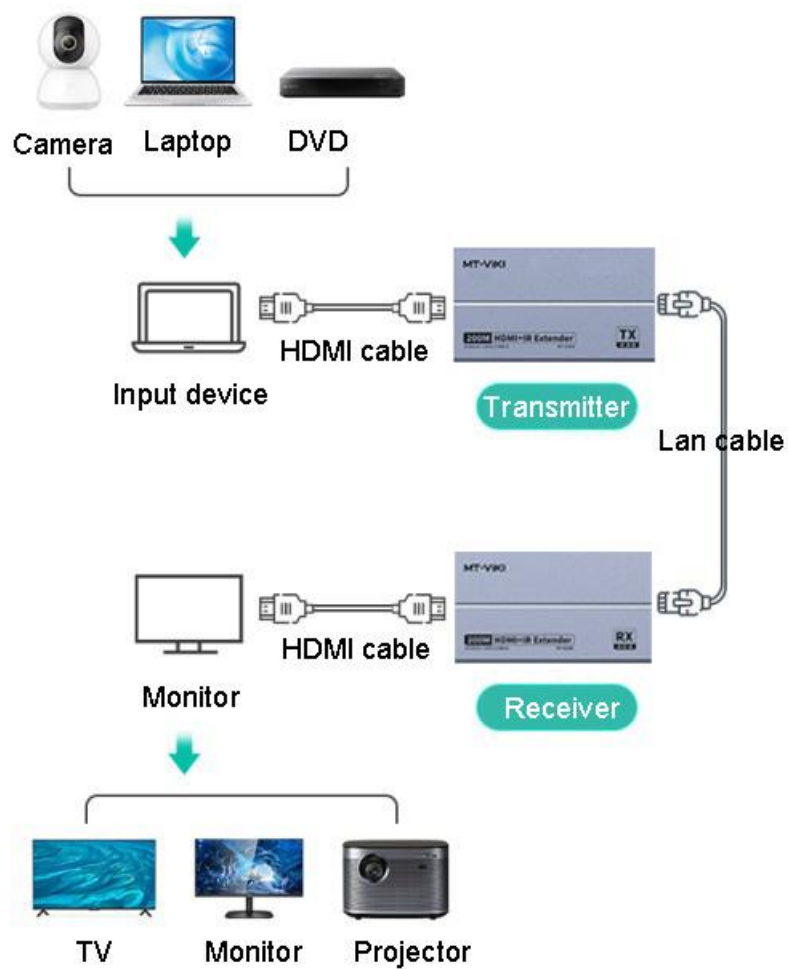
- Up to 150m over Cat5E, 200m over Cat6.
- The resolution up to 1920*1200@60Hz.
- Support local loop out
- With IR interface can control the device at remote
- Supports audio embedding and de-embedding, and can be connected to external analog audio devices

Packing list:

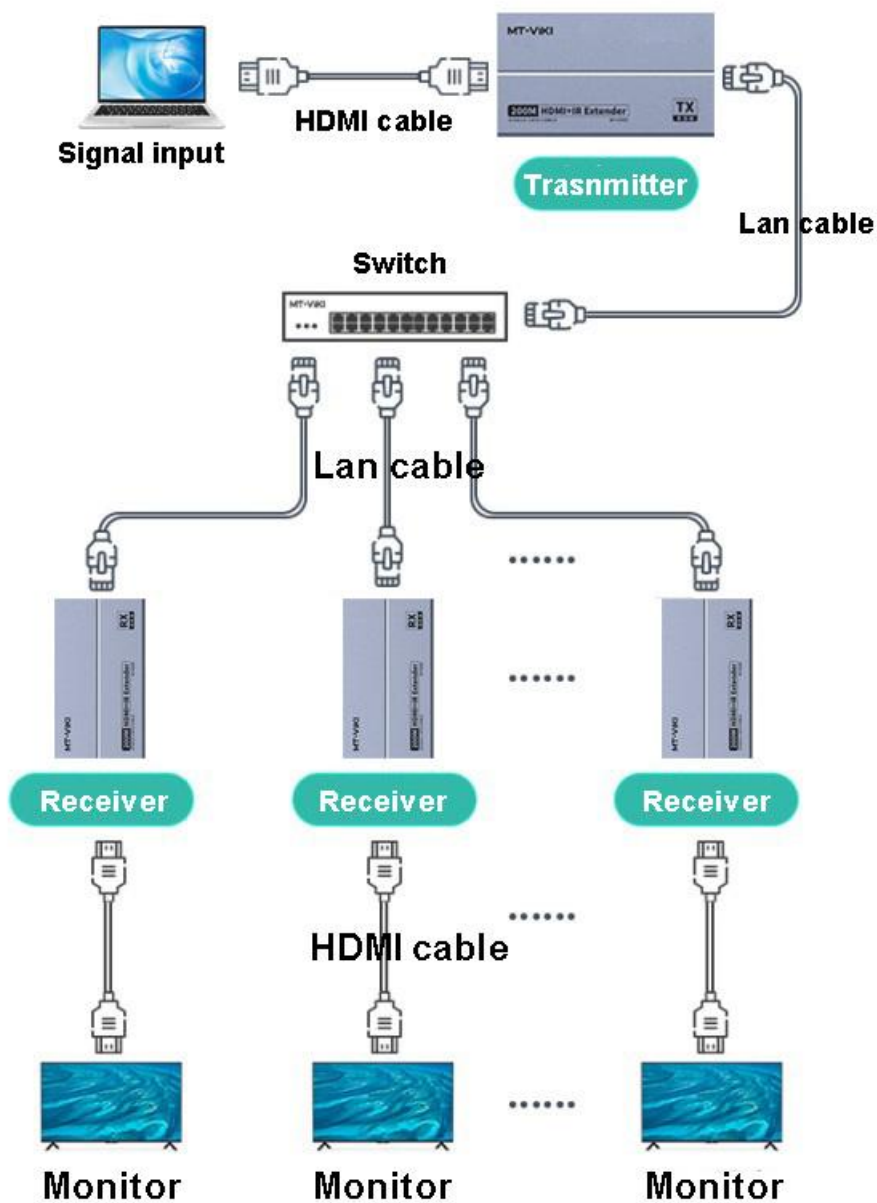
- 1* Transmitter
- 1* Receiver
- 1* DC5V1A Power adapter
- 1* IR IN and 1* IR out cable
- 1* User manual

Connection Diagram:

Point to Point



Point to many



This product only supports Gigabit switches

Specification:

Input Interface	TX: 1* HDMI in, 1* IR in. RX: 1* RJ45 in, 1* AUX out
Output interface	TX: 1* HDMI out, 1* AUX in, 1* RJ45 out. RX: 1* HDMI out, 1* IR out
Transmitter Distance	Point to point: Cat6≤200m, Cat5E≤150m Point to many via gigabit network speed: Cat6≤300m(TX to network switch 150m, network switch to RX 150m, total 300m); Cat5E≤240m(TX to network switch 120m, network switch to RX 120m, total 240m)
Transmission standard	Cat5E or Cat6 cable
Is it lossless?	Lossless
Resolution	1920*1200@60Hz backward compatible
Color space	RGB;YCbCr4:4:4; YCbCr4:2:2;
Color support	8 bit, 10 bit, 12bit(10/12bit only for YUV 4:2:2)
Audio format	PCM L/R
HDCP	TX: HDCP 1.3a, RX: HDCP1.2
HDMI	TX: HDMI 1.3m RX: HDMI 1.2
HDR	Don't support
ESD	±8KV (touch charge)
Power	5V1A
IR Support	20 to 60 KHz
Operation Temp.	0 °C~55 °C
Storage Humidity	-20%~ 60% RH(Non-condensing)
Dimension	99*59*26MM
Shell	AL