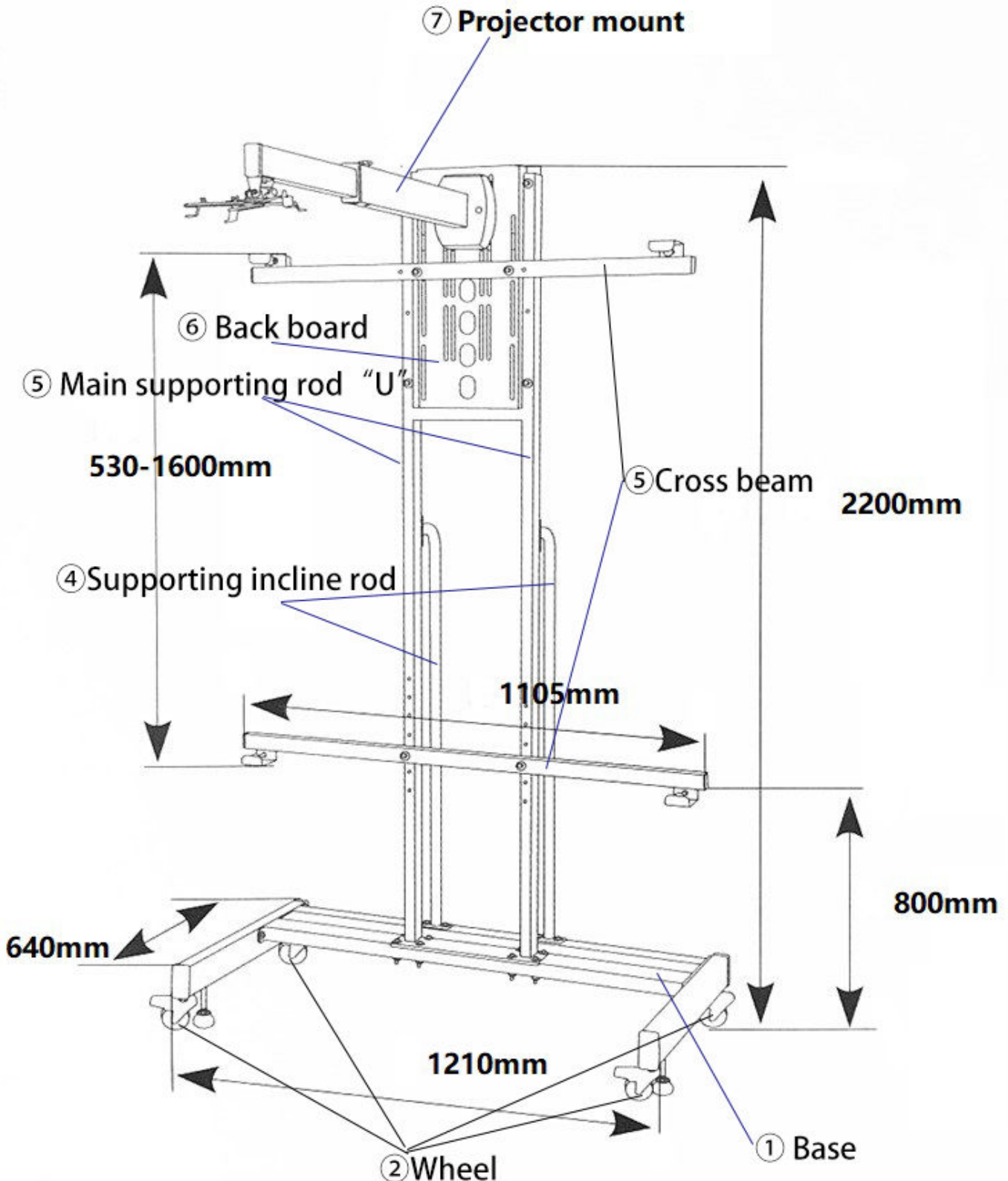


# Manual operation of Universal White board bracket






Model:WJ 2200B

First of all, Thanks for your purchase to our Universal White Board Bracket, please Operate by following process if It is the first time for you to use.

Know the dimension of your white board ,and understand the position which will you fixed the white board .



## Other spare parts list

Photo	Name	Qty pcs	Photo	Name	Qty pcs
	Rubber cover	x 10		M8X55	x 4
	M8X80	x 10		M8X25	x 8
	M8X130	x 2		Fastener	x 4
	M8 NUT	x 20		WASHER	x 36

### Step 1

Installing 2 wheels without brake in the front of base “①”,and installing 2 wheels with brake in the back of base “①”.

### Step2

Installing “U” main supporting rod “ ” with base by screw M8x130 ,Nut and Washer.

### Step 3

Installing supporting incline rod with cross beam of “U” main supporting rod by screw M8x55,Nut and Washer .

### Step 4

Fixing the Back board on the on the “U” main supporting rod by screw M8x80,Nut and Washer.

### Step 5

Fixing cross beam on the “U” main supporting rod by screw M8x50,Nut and Washer .

The top of cross beam must be fixed with Back board and “U” by screw M8x80,Nut and Washer

## **Step 6**

Fixing projector bracket with Back board by screw of projector mount .

## **Step 7**

Fixing your projector on projector mount

## **Step 8**

Fixing Fastener with the Cross beam by M8x80,Nut and Washer .

## **Step 9**

Fixing your white board between the 2 of Cross beam ,and using fastener helps fixation.

## **Noted**

**Please lay the product on firm and flat ground .**

**Don't hang projector on bracket more then 8 kg .**

**Don't stand on the white board bracket .**