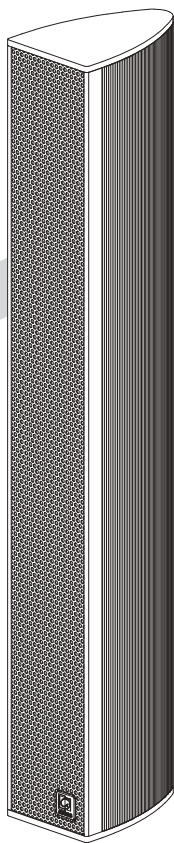


KYRA6/12

User & Installation Manual



Introduction

Design column speakers

The KYRA column speakers range is the elegant result of research in the field of phased array acoustics. The selection of the highest quality materials including aluminum cone 2" drivers guarantee an extraordinary detail and clarity for music and speech, which is uncommon for any kind of column speaker available from the market. It makes them perfectly lend themselves to a wide variety of applications in acoustic difficult environments such as churches, auditoriums, presentation and meeting rooms where audibility and intelligibility of music and speech have the highest importance.

They are housed in slim and elegant constructed enclosures made out of aluminum materials and finished with finely perforated grilles. An included mounting bracket with minimum distance to the wall allows swivelling and down-tilting for perfect directional placement.

They come in three different models (KYRA6, KYRA12 and KYRA24) in terms of length and driver count, all are constructed with the identical high-quality aluminum cone full range drivers. Each of them with their specific pattern in terms of dispersion and throw distance. They offer solutions for uniform acoustic performance in any type of system in reverberant venues, while reducing echo and microphone feedback to optimizes the intelligibility of music & speech.

A multi-tapping line transformer allows them to be connected to 70V/100V public address systems with various power tapping settings, while connections in low impedance (12Ω) systems are also possible.

Precautions

READ FOLLOWING INSTRUCTIONS FOR YOUR OWN SAFETY

- ALWAYS KEEP THESE INSTRUCTIONS FOR FUTURE REFERENCE. NEVER THROW THEM AWAY
- ALWAYS HANDLE THIS UNIT WITH CARE
- CLEAN ONLY WITH DRY CLOTH
- HEED ALL WARNINGS AND FOLLOW ALL INSTRUCTIONS
- NEVER EXPOSE THIS EQUIPMENT TO RAIN, MOISTURE, ANY DRIPPING OR SPLASHING LIQUID. AND NEVER PLACE AN OBJECT FILLED WITH LIQUID ON TOP OF THIS DEVICE
- DO NOT INSTALL THIS UNIT NEAR ANY HEAT SOURCES SUCH AS RADIATORS OR OTHER APPARATUS THAT PRODUCE HEAT
- DO NOT PLACE THIS UNIT IN ENVIRONMENTS WITH A HIGH LEVEL OF DUST, HEAT, MOISTURE OR VIBRATION
- THIS UNIT IS DEVELOPED FOR INDOOR USE ONLY. DO NOT USE IT OUTDOORS
- ONLY USE ATTACHMENTS & ACCESSORIES SPECIFIED BY THE MANUFACTURER.
- ONLY INSTALL THE SPEAKER IN LOCATIONS THAT CAN STRUCTURALLY SUPPORT THE WEIGHT OF THE SPEAKER. IGNORING THIS CAN BRING THE SPEAKER DOWN.
- DO NOT USE ANY OTHER METHOD THAN SPECIFIED TO MOUNT THE SPEAKER. IF EXTREME FORCE IS APPLIED TO THE SPEAKER, IT COULD FALL DOWN
- ATTACH A SAFETY WIRE TO THE SPEAKER WHEN IT IS MOUNTED HIGH UP. ONLY USE INDUSTRY-ACCEPTED RIGGING TOOLS AND METHODS
- CAREFULLY CHECK THE UNIT'S CONDITION AFTER UNPACKING. IF THERE IS ANY DAMAGE TO THE CARTON BOX OR THE UNIT ITSELF, INFORM YOUR VENDOR IMMEDIATELY.

CAUTION

- USE CABLES OF THE RIGHT GAUGE TO CONNECT THE LOUDSPEAKER
- USE CABLES WITH CLEAR COLOR CODING INDICATING THE POLARITY AND MAINTAIN THE SAME POLARITY THROUGHOUT THE WHOLE SYSTEM.
- ONLY USE THE CORRECT AMPLIFIER OUTPUT VOLTAGE AND IMPEDANCE. EXCEEDING THESE LIMITS COULD CAUSE FIRE OR OTHER FAILURES.
AVOID EXPLOSIONS: DO NOT USE THE SPEAKER AROUND GASOLINE, THINNER OR OTHER COMBUSTIBLES
- AVOID ELECTRIC SHOCKS: SWITCH OFF THE AMPLIFIER WHEN CONNECTING THE LOUDSPEAKER
- DO NOT USE THE LOUDSPEAKER FOR AN EXTENDED PERIOD OF TIME AT DISTORTED SOUND. THIS COULD CAUSE PERMANENT DAMAGE.



CAUTION – SERVICING

This product contains no user serviceable parts. Refer all servicing to qualified service personnel. Do not perform any servicing (unless you are qualified to do so.)



EC DECLARATION OF CONFORMITY

This product conforms to all the essential requirements and further relevant specifications described in following directives: 2014/30/EU (EMC) and 2014/35/EU (LVD)



WASTE ELECTRICAL AND ELECTRONIC EQUIPMENT (WEEE)

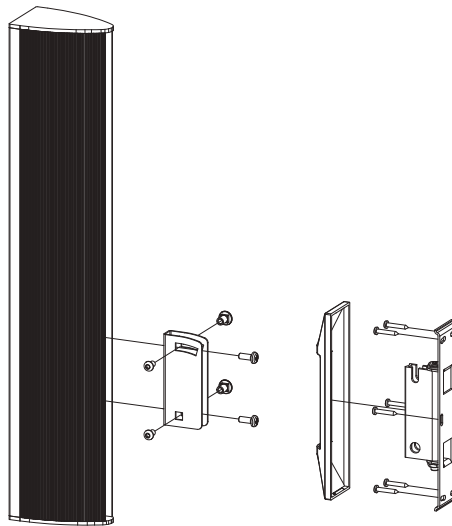
The WEEE marking indicates that this product should not be disposed with regular household waste at the end of its product life. This regulation is created to protect both the environment and human health.

This product is developed and manufactured with high quality materials and components which can be recycled and/or reused. Please dispose this product to your local collection point or recycling centre for electrical and electronic waste. This will make to sure that it will be recycled on an environmentally friendly manner, and will help to protect the environment in which we all live.

Installing the KYRA

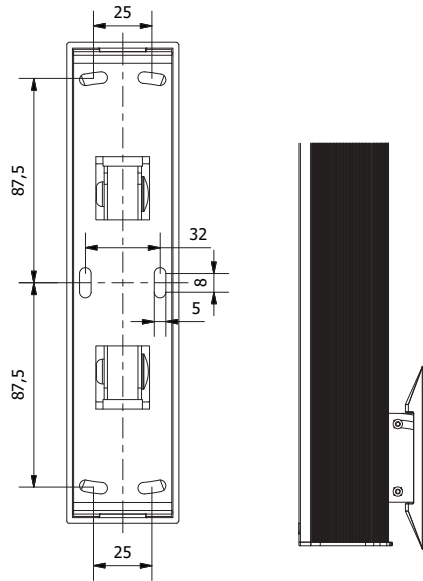
Mounting the speaker

Every KYRA speaker comes delivered with a two-way revolving bracket, making it possible to install the speaker at each position and focusing it into the desired direction. The metal constructed bracket ensures a solid and secure mounting of the loudspeaker to any possible location.

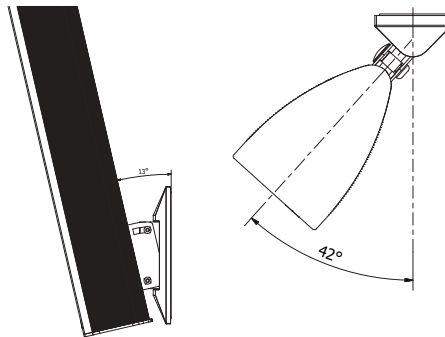


It consists of two different parts, whereof the first part should be installed to the rear side of the loudspeaker. It can be assembled on different heights on the rear of the speaker, depending on the mounting possibilities and required installation height. It is fixated to the loudspeaker cabinet by inserting the 2 supplied mounting screws into the pre-drilled and threaded holes at the back of the speaker cabinet.

The second part is a wall plate which has to be fixed to the wall by at least four screws (preferably six). The type of used fasteners shall be chosen according to the most suitable type for the mounting surface (brick, concrete, wood, ...). The mounting holes are provided according to the positions indicated in the following drawing.



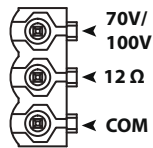
Once both speaker part and wall part are safely attached to their positions, the protective finishing cover can be assembled over the wall plate by clicking it. Afterwards the speaker can be assembled to the wall bracket by bringing both parts together and tightening them through the button head bolt and nuts together through an hex drive key. The upper one can be used for adjusting the tilt-angle of the speaker.



Once installed, the speaker can be panned and tilted, focussing the loudspeaker into the desired listening direction. This is useful when the installation height on the wall is limited or the speaker is mounted from the side. The maximum downward tilt is 13° and the maximum pan in both directions is 42°.

Connecting the speaker

For connecting the KYRA, the wires coming from the amplifier shall be connected to the 3-pin terminal block connector on the rear of the speaker. Depending whether the speaker will be used in a low impedance (12 Ω) system or a constant voltage (70V/100V) system, the appropriate terminals of the connector should get connected as indicated in the below drawing.



When using in constant voltage 70V/100V systems, the power taps can be adjusted in 4 steps of impedance through a rotary selector switch on the rear side of the unit. The switch can be rotated in 4 positions A, B, C & D. Each position corresponds with a specific impedance / power setting indicated on a label attached to the speaker, and in the table below.



KYRA6				KYRA12			
Tapping	100V	70V	Imp.	Tapping	100V	70V	Imp
A	Do not use	20 W	250 Ω	A	Do not use	40 W	125 Ω
B	20 W	10 W	500 Ω	B	40 W	20 W	250 Ω
C	10 W	5 W	1000 Ω	C	20 W	10 W	500 Ω
D	5 W	2.5 W	2000 Ω	D	10 W	5 W	1000 Ω

Additional Information

Technical specifications

		KYRA6	KYRA12
Max Power		120 Watt	240 Watt
RMS Power		60 Watt	120 Watt
Nominal impedance		12 Ohm	12 Ohm
Line transformer taps		250 Ω – 70V/20W 500 Ω – 100V/20W – 70V/10W 1k Ω – 100V/10W – 70V/5W 2k Ω – 100V/5W – 70V/2.5W	125 Ω – 70V/40W 250 Ω – 100V/40W – 70V/20W 500 Ω – 100V/20W – 70V/10W 1k Ω – 100V/10W – 70V/5W
Drivers		6 x 2" Alu cone full range	12 x 2" Alu cone full range
Cross-over network		Passive built-in (low-cut filter)	Passive built-in (low-cut filter)
Connectors		3-pin Terminal block (5.08 mm)	3-pin Terminal block (5.08 mm)
Mounting bracket		2-Way revolving metal bracket	2-Way revolving metal bracket
Construction		Alu extrusion + plastic caps	Alu extrusion + plastic caps
Front finish		Fine perforated steel grill	Fine perforated steel grill
Ingress protection		IP3x	IP3x
Operation temperature range		-20°C to +50°C	-20°C to +50°C
Incline angle	Horizontal	0 ~ 42° left & right	0 ~ 42° left & right
	Vertical	0° ~ 13° down tilt	0° ~ 13° down tilt
Colour	White	KYRA6/W (RAL9003)	KYRA12/W (RAL9003)
	Black	KYRA6/B (RAL9005)	KYRA12/B (RAL9005)
Dimensions (W x H x D)		70 x 546 x 101 mm (excl bracket)	70 x 1006 x 101 mm (excl bracket)
Weight		2.26 Kg	4.30 Kg
Packaging		Carton box	Carton box
Shipping weight & Volume		3.35 Kg – 0.021 Cbm	5.8 Kg – 0.032 Cbm
Accessories included		3-pin terminal block connector 2-Way revolving metal bracket Cable guiding accessories	3-pin terminal block connector 2-Way revolving metal bracket Cable guiding accessories

Notes
